

Angle Brackets

Aluminum, for Aluminum Profiles (b-Modular System), with or without Accessory

SPECIFICATION

Types

- Type **A**: Without accessory
- Type **C**: With fastening set and cover cap

Angle bracket
Aluminum

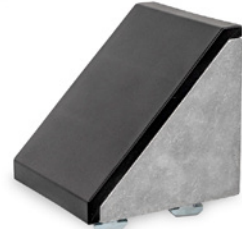
- Painted, white aluminum **AW**
- Plain finish **AB**

Fastening set (only for Type C)

- T-slot nut and socket cap screw (for n = 8)
- T-slot bolt and collar nut (for n = 10)

Steel, zinc plated **SZ** (only for Type C)
Blue / yellow passivated

Cover cap (only for Type C)
Plastic (Polyamide PA)
Black **S**



INFORMATION

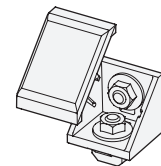
Angle brackets GN 30b fasten aluminum profiles to objects such as tables and panels or at right angles to each other. Machining of the profile is not necessary.

The connection can be freely positioned and slid along the slot. To fasten the angle brackets to a panel or transversely to an aluminum profile, the guide steps must be broken off.

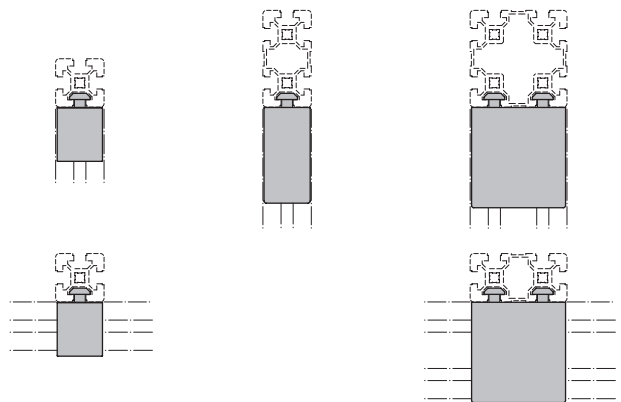
The cover caps ensure a visually appealing appearance and simplify cleaning (type C).

Assembly Options / Application Examples

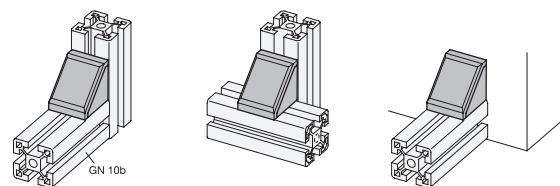
Assembly of cover cap

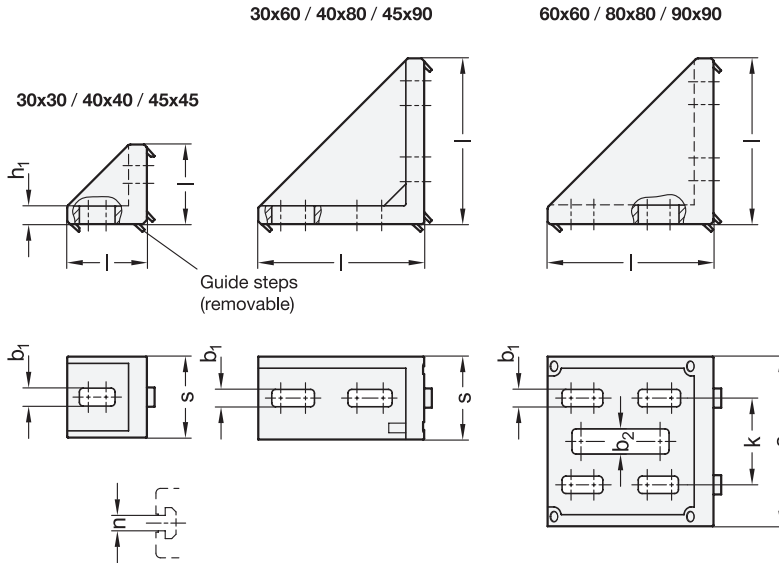


Use



Application examples





GN 30b-A-AW

Description	s Nominal dimension	s Actual dimension	Length l Nominal dimension	Length l Actual dimension	n	b1 For screw	b2* For screw	h1	k	⚖
GN 30b-30308-A-AW	30	28	30	27	8	M 6	-	5.5	-	21
GN 30b-30608-A-AW	30	28	60	57	8**	M 6	-	6	-	57
GN 30b-404010-A-AW	40	38	40	36	10	M 8	-	5.5	-	34
GN 30b-408010-A-AW	40	36	80	80	10**	M 8	-	9	-	123
GN 30b-454510-A-AW	45	42	45	41	10	M 8	-	9	-	52
GN 30b-459010-A-AW	45	42	90	87	10**	M 8	-	9.5	-	166
GN 30b-60608-A-AW	60	56	60	57	8**	M 6	M 8	6	30	168
GN 30b-808010-A-AW	80	74	80	76	10**	M 8	-	8	40	227
GN 30b-909010-A-AW	90	88	90	86	10**	M 8	-	9.5	45	360

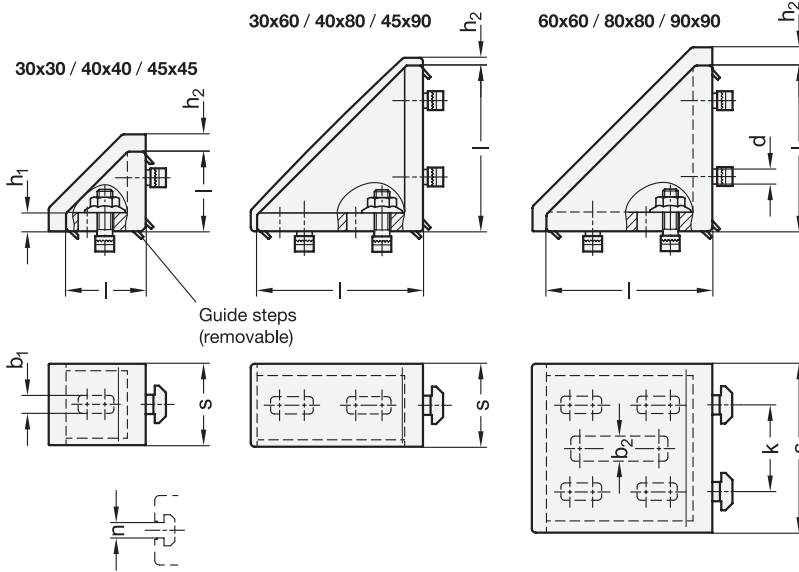
GN 30b-A-AB

Description	s Nominal dimension	s Actual dimension	Length l Nominal dimension	Length l Actual dimension	n	b1 For screw	b2* For screw	h1	k	⚖
GN 30b-30308-A-AB	30	28	30	27	8	M 6	-	5.5	-	21
GN 30b-30608-A-AB	30	28	60	57	8**	M 6	-	6	-	59
GN 30b-404010-A-AB	40	38	40	36	10	M 8	-	5.5	-	34
GN 30b-408010-A-AB	40	36	80	80	10**	M 8	-	9	-	119
GN 30b-454510-A-AB	45	42	45	41	10	M 8	-	9	-	50
GN 30b-459010-A-AB	45	42	90	87	10**	M 8	-	9.5	-	165
GN 30b-60608-A-AB	60	56	60	57	8**	M 6	M 8	6	30	106
GN 30b-808010-A-AB	80	74	80	76	10**	M 8	-	8	40	225
GN 30b-909010-A-AB	90	88	90	86	10**	M 8	-	9.5	45	358

* Slotted holes only on 60608

** Additional guide steps for further slot widths





GN 30b-C-AWSZS

Description	s Nominal dimension	s Actual dimension	Length l Nominal dimension	Length l Actual dimension	n	b1 For screw	b2* For screw	d	h1	h2 ≈	k	⚖
GN 30b-30308-C-AWSZS	30	28	30	27	8	M 6	-	M 6	5.5	6	-	48
GN 30b-30608-C-AWSZS	30	28	60	57	8**	M 6	-	M 6	6	3.5	-	99
GN 30b-404010-C-AWSZS	40	38	40	36	10	M 8	-	M 8	5.5	6	-	88
GN 30b-408010-C-AWSZS	40	36	80	80	10**	M 8	-	M 8	9	3.5	-	210
GN 30b-454510-C-AWSZS	45	42	45	41	10	M 8	-	M 8	9	6	-	112
GN 30b-459010-C-AWSZS	45	42	90	87	10**	M 8	-	M 8	9.5	3.5	-	300
GN 30b-60608-C-AWSZS	60	56	60	57	8**	M 6	M 8	M 6	6	6.5	30	198
GN 30b-808010-C-AWSZS	80	74	80	76	10**	M 8	-	M 8	8	6.5	40	450
GN 30b-909010-C-AWSZS	90	88	90	86	10**	M 8	-	M 8	9.5	6.5	45	592

GN 30b-C-ABSZS

Description	s Nominal dimension	s Actual dimension	Length l Nominal dimension	Length l Actual dimension	n	b1 For screw	b2* For screw	d	h1	h2 ≈	k	⚖
GN 30b-30308-C-ABSZS	30	28	30	27	8	M 6	-	M 6	5.5	6	-	41
GN 30b-30608-C-ABSZS	30	28	60	57	8**	M 6	-	M 6	6	3.5	-	96
GN 30b-404010-C-ABSZS	40	38	40	36	10	M 8	-	M 8	5.5	6	-	87
GN 30b-408010-C-ABSZS	40	36	80	80	10**	M 8	-	M 8	9	3.5	-	207
GN 30b-454510-C-ABSZS	45	42	45	41	10	M 8	-	M 8	9	6	-	112
GN 30b-459010-C-ABSZS	45	42	90	87	10**	M 8	-	M 8	9.5	3.5	-	299
GN 30b-60608-C-ABSZS	60	56	60	57	8**	M 6	M 8	M 6	6	6.5	30	181
GN 30b-808010-C-ABSZS	80	74	80	76	10**	M 8	-	M 8	8	6.5	40	454
GN 30b-909010-C-ABSZS	90	88	90	86	10**	M 8	-	M 8	9.5	6.5	45	588

* Slotted holes only on 60608

** Additional guide steps for further slot widths